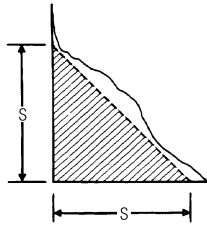


4-14 溶接換算率

(1) すみ肉溶接

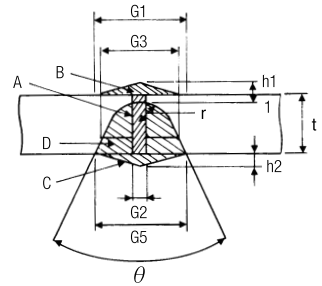


$$K = \frac{A}{21.78}$$

$$A = \frac{1.1^2 \times S^2}{2}$$

$$= \frac{1.21S^2}{2}$$

(2) I形グループ溶接



$$K = \frac{A+B+C+D}{21.78}$$

$$G1 = G5$$

$$G3 = 2 \cdot r / \cos(\frac{\theta}{2})$$

$$G5 = G3 + 2 \cdot (t - r - 1) \cdot \tan(\frac{\theta}{2})$$

$$A = G2 \cdot t$$

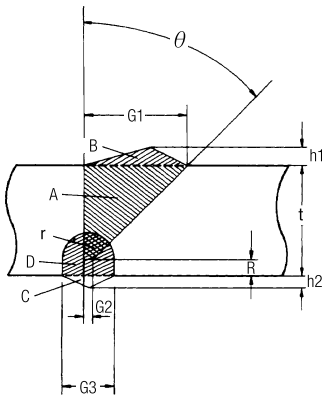
$$B = \frac{G1 \cdot h1}{2}$$

$$C = \frac{G5 \cdot h2}{2}$$

$$D = \frac{\pi \cdot r^2}{2} \cdot \frac{(180^\circ - \theta)}{180^\circ} + r^2 \tan(\frac{\theta}{2}) + \frac{(G3 + G5) \cdot (t - r - 1)}{2}$$

寸法	
G2	t/3ただし2以下
θ	50°
h1	3
h2	3
r	t ≤ 9 … 4
	t > 9 … 6

(3) レ形グループ溶接



$$K = \frac{A+B+C+D}{21.78}$$

$$A = \frac{(t-R) \cdot (G1+G2)}{2}$$

$$B = \frac{G1 \cdot h1}{2}$$

$$C = \frac{G3 \cdot h2}{2}$$

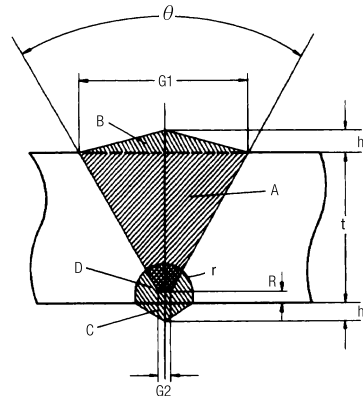
$$D = \frac{\pi r^2}{2} + 2 \cdot r \cdot R$$

$$G1 = (t-R) \cdot \tan \theta + G2$$

$$G3 = 2 \cdot r$$

寸法	
G2	2
θ	45°
h1	3
h2	3
R	2
r	t ≤ 9 … 4
	t > 9 … 6

(4) V形グループ溶接



$$K = \frac{A+B+C+D}{21.78}$$

$$A = \frac{(t-R) \cdot (G1+G2)}{2}$$

$$B = \frac{G1 \cdot h1}{2}$$

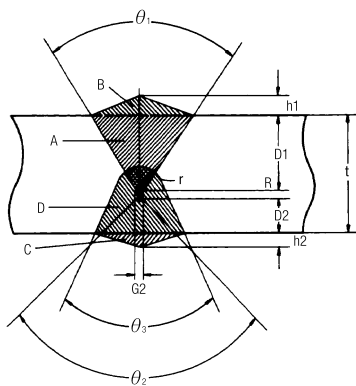
$$C = \frac{2 \cdot r \cdot h2}{2}$$

$$D = \frac{\pi r^2}{2} + 2 \cdot r \cdot R$$

$$G1 = 2(t-R) \tan \frac{\theta}{2} + G2$$

寸法	
G2	2
θ	60°
h1	3
h2	3
R	2
r	t ≤ 9 … 4
	t > 9 … 6

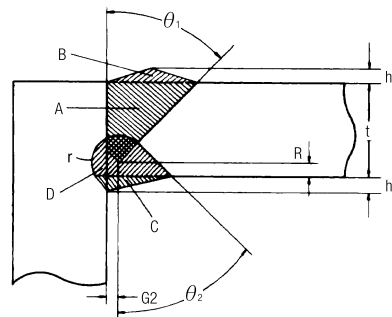
(5) X形グループ溶接



$$K = \frac{A+B+C+D}{21.78}$$

寸法	
G2	2
θ ₁	60°
θ ₂	90°
θ ₃	50°
h1	3
h2	3
R	2
r	6
D1	2/3(t-R)
D2	1/3(t-R)

(6) レ形かど継手溶接



$$K = \frac{A+B+C+D}{21.78}$$

寸法	
G2	2
θ ₁	45°
θ ₂	45°
h1	3
h2	t/4, ≤ 10
R	2
r	t ≤ 9 … 4
	t > 9 … 6